

- 5 Megapixel Resolution
- Ultra-Low Light Performance
- C/CS Mount
- H.264/H.265 Encoding
- DC 12V / PoE
- True day / night w/ IR cut filter
- ONVIF / PSIA / CGI Compliant



SPECIFICATIONS

Optical Camera

Imaging Device	1/1.8" Progressive Scan CMOS
Resolution	2592 x 1944 (5 Megapixel)
Effective Pixels	5,038,848
Min. Distance to Object	12" (300mm)
Min. Illumination	0.001 Lux@F1.2 (color), 0.0005 Lux@F1.2 (BW)
Day Night Type	IR cut filter with auto switch
Wide Dynamic Range	WDR > 120dB
Electronic Shutter	Auto (1/25-1/10,000s)
Gain Control	AGC Off / Low / Medium High

Encoding

Video Compression	H.264 / H.265 / MJPEG
Frame Rate	1 ~ 25/30fps @ 2592x1944/2048x1520/1080P(1920x1080)/720P(1280x720)/D1/VGA/QVGA
Streaming	Unicast / Multicast Main Stream: 2592x1944/2048x1520/1080p, Sub Stream: 720P/D1/VGA/QVGA
Audio Compression	G.711u / G.711d

Network

Alarm Trigger	Motion (up to 5 zones), Smart Detection, Smart Streaming, FTP, E-mail, Browser, CMS
Protocols	IPv4, IPv6, TCP/IP, UDP, RTP, RTSP, RTCP, HTTP, DNS, DDNS, DHCP, FTP, NTP, PPPOE, SMTP, UPNP
Security	HTTPS(SSL) login authentication, Digest login authentication IP address filtering, User access log, 802.1x authentication
System Compatibility	ONVIF 2.4, iPhone, Windows Mobile, Android
Communication Interface	RJ-45 (10/100BASE-T)

Additional Features

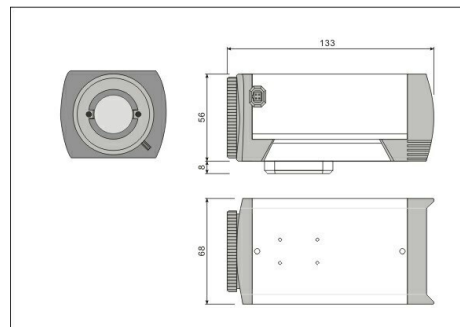
Built-In Analytics	RIO (Region of Interest), Tamper Deduction, Smart Cover, Smart Focus, Smart Noise Reduction, Smart Alarm Control
Noise Reduction	3D DNR (Auto, Manual 1-256)
Auto White Balance	√
Alarm Input/Output	1/1

CAM-IPE-5XL

Audio Input/Output	Bidirectional: 1-ch 3.5 mm audio interface, MIC IN/LINE IN 1-ch 3.5mm audio interface (line level, 600 Ω) Output
On-board storage	MicroSD Slot (up to 64GB)
Additional Features	Smart Detection, Smart Streaming (Region-of-Interest), Mirror, Flip, Rotation, Privacy Mask (up to 4 zones)
Environment	
Operating Temperature	-22 ~ 140° F (-30 ~ 60° C)
Operating Humidity	≤ 90% RH non-condensing
Electrical	
Input Voltage	DC12V/POE (802.3.af)
Power Consumption	250mA
General	
Weight	0.63lb (287g)
Dimensions	5.2" L x 2.7" W x 2.2" H (133 L x 68 W x 56mm H)
Warranty	5 Years

AVAILABLE MODELS

Part number	Description
CAM-IPE-5XL	5 MP H.264/H.265 Low-Lux, WDR Box PoE Network Camera with MicroSD



CAM-IPE-5XL

Aventura and the Aventura logo are registered trademarks of Aventura Technologies, Inc. Specifications subject to change without notice. Copyright © 2018. All rights reserved. Rev: 020218

Aventura - World Headquarters
 48 Mall Drive Commack NY 11725 USA
 Tel: 631-300-4000 | Fax: 631-434-7000
www.aventuracctv.com