

2MP 44X IR Network PTZ Dome Camera CAM-IPM-2Z-44X-IR



The Next Generation Of Long Range Camera Technology by Aventura™

The 2 megapixel 44X IR Network PTZ Camera offers comprehensive viewing technology with the latest features to deliver uninterrupted streaming. Equipped with accurate focusing, onboard analytics, and innovative snow-removal technology, this camera truly is a powerhouse of reliability. Invest in the best with the CAM-PTZ-2M-44X by Aventura Technologies and you won't be disappointed.

System Performance

- + Innovative snow-removing functionality
- + More effective heat dissipation system
- + Intelligent temperature control technology
- + 6 KV surge protection for network interface
- + Fast Installing structure designed
- + ONVIF Conformance
- + H.265, H.264, MJPEG
- + Embedded smart algorithm
- + Triple streams
- + 1080P@60fps supported
- + Triple Stream 60 fps

Key Features

- + 44X Optical Zoom
- + Starlight illumination
- + Accurate and fast focusing
- + Onboard Analytics
- + Up to 120 dB Optical WDR(Wide Dynamic Range)
- + 5mm~220mm Super WDR
- + Optical glass window with higher light transmittance
- + IR anti-reflection to boost the infrared transmittance
- + 350M Smart Infrared
- + Image Stabilization
- + Color 0.001 Super Low Lux



Made in the U.S.A



Aventura™

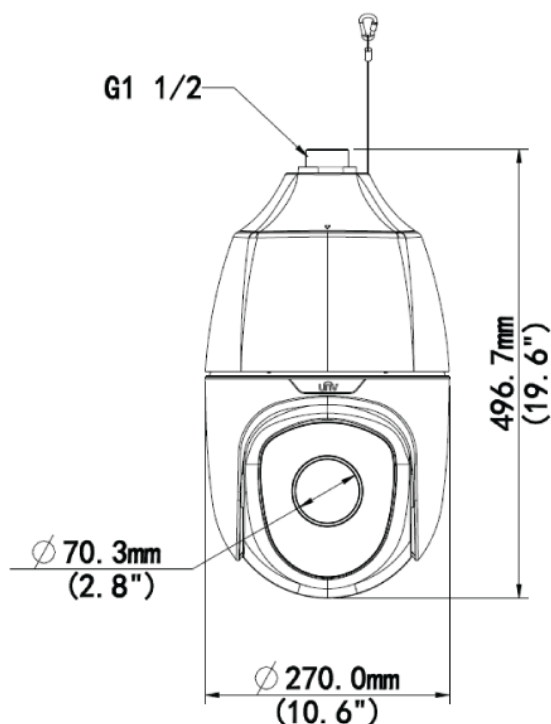
Aventura Technologies, Inc.
48 Mall Drive
Commack, New York 11725 USA
Phone: 631-300-4000
Fax: 631-434-7000

2MP 44X IR Network PTZ Dome Camera CAM-IPM-2Z-44X-IR

SPECIFICATIONS

System	
Max. Resolution	1920 × 1080
Video Compression	H.265, H.264, MJPEG
Frame Rate	1080P (1920×1080):Max.60 fps;
Video Streaming	Triple
OSD	Up to 8 OSDs
Privacy Mask	Up to 4 areas
Digital Zoom	Yes
HLC	Yes
EIS	Yes
Behavior Detection	Intrusion crossing line motion detection
Exception Detection	Audio detection
Intelligent Identification	Face detection
Statistical Analysis	People counting
Audio Compression	G.711
Two-way audio	Supported
Edge Storage	Micro SD up to 128GB
Protocols	L2TP, IPv4, IGMP, ICMP, ARP, TCP, UDP, DHCP, PPPoE, RTP, RTSP, RTCP, DNS, DDNS, NTP, FTP, UPnP, HTTP, HTTPS, SMTP, SIP, 802.1x
Compatible Integration	ONVIF/API
Pan Range	360° (endless)
Pan Speed	0.1°/s ~ 240°/s Preset speed: 300°/s
Tilt Range	-15° ~ +90° (auto reverse)
Tilt Speed	0.1° ~ 160°/s Preset speed: 300°/s
Number of Preset	256
Patrol	Preset patrol, route patrol, recorded patrol
Audio I/O	Audio cable 1 Input: impedance 35 kΩ; amplitude 2 V [p-p] 1 Output: impedance 600 Ω; amplitude 2 V [p-p]
Alarm I/O	2/1
Serial Port	1 RS485
Network	1 RJ45 10M/100M Base-TX Ethernet
Power	24 V±25% AC (Default), 24 V±25% DC Power consumption:16 ~56W
Dimensions (Ø x H)	Ø270mm×496.7mm(Ø10.6" x 19.6")
Weight	9.69kg(21.4lb)
Heat	Built-in Heater and Temperature control system
Working Environment	-45°~70°(-49°F ~ 158°F) Humidity ≤ 95% RH(non-condensing)
Ingress Protection	IP66

Camera	
Sensor	1/2.8"; 2 megapixel, progressive scan, CMOS
Lens	5 ~ 220 mm (44x optical zoom)
Angle of View (H)	56.7° (wide) ~ 3.07° (tele)
Iris	Auto/Manual; F1.2 ~ F3.5
Shutter	Auto/Manual; shutter time: 1/6 s ~ 1/8000 s
Minimum Illumination	Color: 0.002 lux (F1.2, 50IRE) 0 lux with IR
S/N	>52dB
WDR	120dB
Defog	Optical Defog & Digital Defog
Color	0.001 Super Low Lux
Viewing Angle	5mm~220mm Super WDR
IR	350M Smart Infrared



Made in the U.S.A



Aventura™

Aventura Technologies, Inc.
48 Mall Drive
Commack, New York 11725 USA
Phone: 631-300-4000
Fax: 631-434-7000