

- 2 Megapixel Resolution
- Ultra-Low Light Performance
- C/CS Mount
- H.264/H.265 Encoding
- DC 12V / PoE
- True day / night w/ IR cut filter
- ONVIF / PSIA / CGI Compliant



### SPECIFICATIONS

#### Optical Camera

Imaging Device	1/2.7" Progressive Scan CMOS
Resolution	1920 x 1080 (2 Megapixel)
Effective Pixels	2,073,600
Min. Distance to Object	8" (200mm)
Min. Illumination	0.001 Lux@F1.2 (color), 0.0005 Lux@F1.2 (BW)
Day Night Type	IR cut filter with auto switch
Wide Dynamic Range	WDR > 120dB
Electronic Shutter	Auto (1/25-1/10,000s)
Gain Control	AGC Off / Low / Medium High

#### Encoding

Video Compression	H.264 / H.265 / MJPEG
Frame Rate	1 ~ 25/30fps @ 1080P(1920x1080)/720P(1280x720)/D1(704x576)/VGA(640x480)/QVGA(320x240)
Streaming	Unicast / Multicast Main Stream: 1080P/720P, Sub Stream: D1/VGA/QVGA
Audio Compression	G.711u / G.711d

#### Network

Alarm Trigger	Motion (up to 5 zones), Smart Detection, Smart Streaming, FTP, E-mail, Browser, CMS
Protocols	IPv4, IPv6, TCP/IP, UDP, RTP, RTSP, RTCP, HTTP, DNS, DDNS, DHCP, FTP, NTP, PPPOE, SMTP, UPNP
Security	HTTPS(SSL) login authentication, Digest login authentication IP address filtering, User access log, 802.1x authentication
System Compatibility	ONVIF 2.4, iPhone, Windows Mobile, Android
Communication Interface	RJ-45 (10/100BASE-T)

#### Additional Features

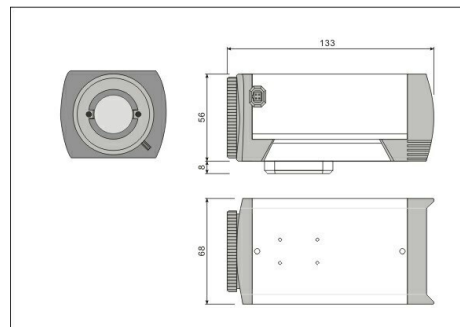
Built-In Analytics	RIO (Region of Interest), Tamper Deduction, Smart Cover, Smart Focus, Smart Noise Reduction, Smart Alarm Control
Noise Reduction	3D DNR (Auto, Manual 1-256)
Auto White Balance	√
Alarm Input/Output	1/1

### CAM-IPE-2XL

Audio Input/Output	Bidirectional: 1-ch 3.5 mm audio interface, MIC IN/LINE IN 1-ch 3.5mm audio interface (line level, 600 Ω) Output
On-board storage	MicroSD Slot (up to 64GB)
Additional Features	Smart Detection, Smart Streaming (Region-of-Interest), Mirror, Flip, Rotation, Privacy Mask (up to 4 zones)
<b>Environment</b>	
Operating Temperature	-22 ~ 140° F (-30 ~ 60° C)
Operating Humidity	≤ 90% RH non-condensing
<b>Electrical</b>	
Input Voltage	DC12V/POE (802.3.af)
Power Consumption	250mA
<b>General</b>	
Weight	0.63lb (287g)
Dimensions	5.2" L x 2.7" W x 2.2" H (133 L x 68 W x 56mm H)
Warranty	5 Years

### AVAILABLE MODELS

Part number	Description
CAM-IPE-2XL	2 MP H.264/H.265 Low-Lux, WDR Box PoE Network Camera with MicroSD



## CAM-IPE-2XL

Aventura and the Aventura logo are registered trademarks of Aventura Technologies, Inc. Specifications subject to change without notice. Copyright © 2018. All rights reserved. Rev: 020218

**Aventura - World Headquarters**  
 48 Mall Drive Commack NY 11725 USA  
 Tel: 631-300-4000 | Fax: 631-434-7000  
[www.aventuracctv.com](http://www.aventuracctv.com)