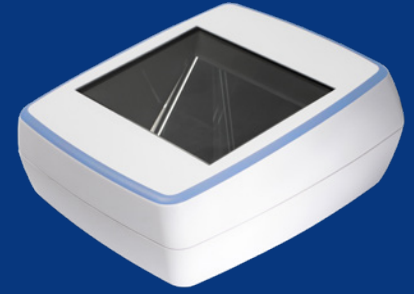


ATR210 - HID® TripTick™ Halo

Surface, Pole or Desk Mounted Barcode & NFC Reader



ANY TOKEN...ONE READER

The state-of-the-art TripTick Halo series includes options for barcode reading, NFC/RFID reading and with the ATR220, contactless EMV payments.

The ATR210 is designed to read NFC tickets or tokens and 1D/2D barcodes from mobile phones, tablets, wearables, contactless cards and paper in any orientation. It offers an especially intuitive and quick interface for data reading and writing. It works with all popular contactless cards – including Mifare® (Classic®, Ultralight®, DESfire®, Plus) and Calypso®.

NO-NONSENSE INSTALLATION

TripTick Halo offers the ultimate no-nonsense installation. Its small footprint, low profile, and choice of pole, surface or desk mounting options providing easy mounting in any application. Its rugged water-resistant construction with no moving parts, enables it to withstand years of public access use.

A 9-36V R10 power supply is included with standard connectors or can optionally, be supplied with M12 connectors for vehicle based transit applications.

PROVEN HERITAGE

The ATR210 TripTick Halo builds on the popular TripTick range of OEM readers. It delivers the same large active scan area of the OEM device to deliver robust barcode reading performance.

Its optimised imaging ensures read reliability and high-speed performance; capturing and decoding all popular linear (1D), and 2D symbologies.

APPLICATIONS

- Self-service kiosks
- Visitor management
- Vaccine certificate checking
- Payment via virtual storecard & storage of eReceipts
- Hotel Check-In
- Buses & Coaches
- Trams & Light Rail
- Metro & Subways
- Turnstiles and Gates
- Loyalty programmes

FEATURES:

- Contactless Capability - Works with all popular contactless cards
- Barcode Reading - Reads 2D, PDF417 and linear symbologies
- IP54 Ingress Protected - Sealed for integration into indoor/outdoor kiosks, podiums & gates
- Simple Installation - Single cable connection to host with options for pole, surface or desk mount
- Clear Feedback - Audio buzzer and multicoloured RGB light strip (user definable)
- Connection Options - USB (HID, serial or keyboard), RS232, Ethernet interface options
- Up-rated glass option available for extreme environments

ATR210 - HID® TripTick™ Halo





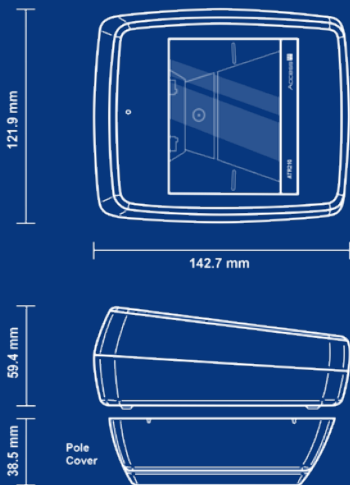
FEATURES

Connection Types

-  USB
-  Ethernet
-  RS232

Technology

-  NFC / RFID
-  QR/Barcode



ATR210 - TripTick Halo

READING CAPABILITIES	
Barcode Symbologies Read	Linear: EAN, UPC, Code 2 of 5, Interleaved 2 of 5, IATA 2 of 5, Code 39, Code 128 2D: PDF417, Aztec, DataMatrix and QR codes Media types read: Smartphone/tablet/smartwatch displays & paper tickets
Contactless Reader	Supported media: ISO14443 type A and B cards (Java cards); max baud 424K (extendable to 848K) Mifare Ultralight (UL-C, UL-EV1), Mifare DESFire, Mifare Plus, Mifare Classic, Mifare SmartMX Operating frequency: 13.56 MHz Operating distance: Up to 40 mm
ELECTRONIC	
Power Supply	9-36V PSU (R10 automotive)
Interface	USB composite device, with: HID, CDC Serial or Keyboard interface for barcode reading CCID PC/SC interface for NFC Serial device, with barcode, NFC reader as separate devices (RS232) Ethernet
PHYSICAL	
Dimensions	Surface / Desk Mount 5 x 6 x 2 in (121.9 x 142.7 x 59.4mm) Pole Mount 5 x 6 x 4 in (121.9 x 142.0 x 97.9mm)
User Feedback	Visible/audible: Multicoloured RGB light strip (user definable) audio beeper
Active Scan Area	3.5 x 2.8 in (88 x 71mm)
Weight	23 oz (650g)
Body	Light Gray
Glass	4mm Toughened White Soda Lime; BS EN60068-2-75 & IEC 62262:2002, rated to 3.5J impact
MTBF	250,000 hours
THERMAL (AIR)	
Temperature	Operating -4°F to 140°F (-20°C to 60°C)
Storage	-22°F to 176°F (-30°C to 80°C)
Humidity	95% RH, non-condensing
APPROVALS	
EMC Approvals: FCC 47CFR Part 15 Subpart B Class A, UN ECE R10 (R10 Version Only) EN 55032 Class B (Non R10 Version), EN 55035 Radio: FCC Part 15 Subpart C, EN 301 489-1, EN 301 489-3, EN 300-330 Safety: IEC 62471, EN62368-1:2014 Ingress: IP54 certified to BS EN 60529:1992	

To learn more, please contact us at: access-is@hidglobal.com



hidglobal.com

North America: +1 512 776 9000 | Toll Free: 1 800 237 7769
Europe, Middle East, Africa: +44 1440 714 850
Asia Pacific: +852 3160 9800 | Latin America: +52 (55) 9171-1108
For more global phone numbers click here

© 2022 HID Global Corporation/ASSA ABLOY AB. All rights reserved.
2022-06-21-eat-atr210-triptick-halo-reader-ds-en PLT-06449
Part of ASSA ABLOY