

PYRONICS



■ **PYR-FA-CHA-IM** FAULT ISOLATOR MODULE

The PYR-FA-CHA-IM is a fault isolator module with an internal microprocessor supporting two-wire advanced communication and electronic coding. The module communicates with the fire alarm control panel in real-time the device status as well as receives and executes control commands from the fire alarm control panel. The module isolates the portion of a loop with short circuit fault to ensure normal loop operation for the remaining devices on the loop.

KEY FEATURES

- Modern Design and Feel
- Isolators Loop Short Circuits
- Electronic Addressing via Handheld Programmer
- Automatic Reset Once the Loop Short Circuit is Removed
- Polarity Insensitive for Ease of Installation and Maintenance
- Front LED Indicator for Clear Viewing
- 3 Year Warranty



SPECIFICATIONS

GENERAL

Technology	Microprocessor Based
Addressing	Software Addressing
Wiring	2 Wire (Polarity Insensitive)
LED	Front LED
Base	Clips Mount Base

PERFORMANCE

Isolation	Between 2 Modules
Interval *	Every 32 Addressable Device
Reset	Automatic
Mounting	Surface
EMI Protection	Yes

ELECTRICAL

Operating Voltage	24 V (Pulse Modulation)
Standby Current	2 mA
Alarm Current	15 mA

MECHANICAL

Material	ABS High Impact Durable Engineered Polymer
Dimensions	86 mm x 86 mm x 41 mm (Height x Width x Depth)
Weight	122 gm (With Base)

ENVIRONMENTAL

Application	Indoor
Operating Temperature	-10 °C to +55 °C
Storage Temperature	-20 °C to +60 °C
Humidity	0 to 95% (Relative Humidity)

REGULATORY

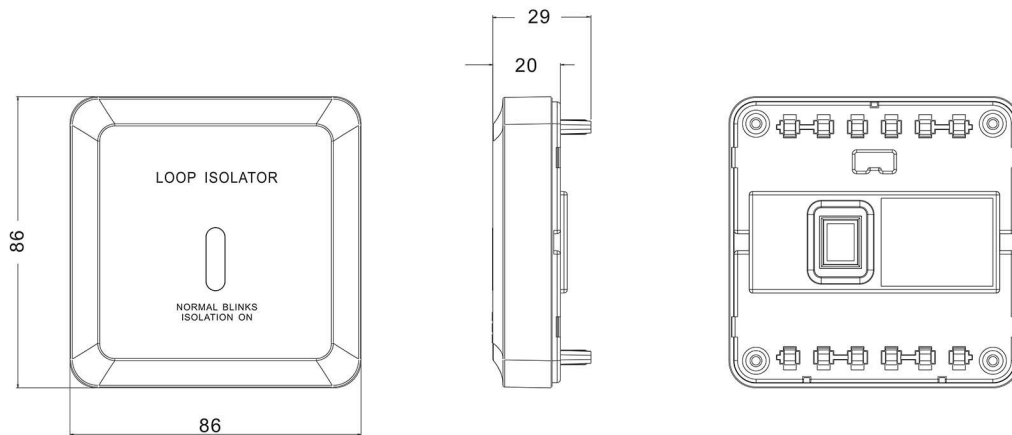
Certification	LPCB according to EN54-17
Declaration	CE



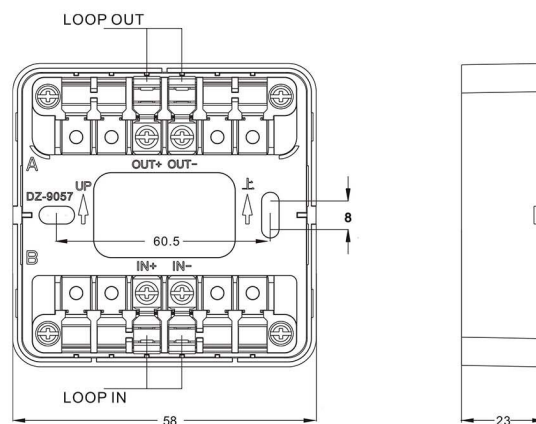
* Pyronics recommends installing fault isolators every 32 addressable devices for loop circuit survivability.



DIMENSIONS



WIRING



ORDERING INFORMATION

Model	Description
PYR-FA-CHA-IM	FAULT ISOLATOR MODULE

pyronics

Adkinns | 5063 Commercial Circle,
HQ | Concord, CA 94520
United States
Email | info@pyronics.us
Website | www.Pyronics.us

Pyronics warrants all its products against any and all manufacturing defects from the date of product delivery from the factory and/or distribution center. Pyronics's Challenger series has a warranty of 3 years

PYR-FA-CHA-IM – Datasheet V.001

pyronics

©2022, Pyronics, all rights reserved . We reserve the right to change the design and specifications without prior notice. Pyronics is a life safety and property protection systems manufacturer that is fully owned by Adkinns Inc.