

#### HEADQUARTERS

FAAC SpA  
Via Calari, 10 – 40069 Zola Predosa (BO) – Italy  
Tel. +39 05161724  
Fax +39 051 758518  
www.faacgroup.com – info@faac.it

#### FAAC SUBSIDIARIES

FAAC AG  
Tel. +41 52 3461721  
Fax +41 52 3461723  
Illnau, Switzerland  
www.faac.ch

FAAC FRANCE  
Tel. +33 472218700  
Fax +33 472218701  
Corbas, France  
www.faac.fr

FAAC GMBH  
Tel. +49 8654 49810  
Fax +49 8654 498125  
Freilassing, Germany  
www.faac.de

FAAC MIDDLE EAST  
Dubai, Emirati Arabi  
www.faac.ae  
info@faac.ae

F.A.A.C. SA  
Tel +34 91 6613112  
Fax +34 91 6610050  
Madrid, España  
www.faac.es

FAAC UK LTD.  
Tel +44 1256 318100  
Fax +44 1256 318101  
Basingstoke, Hampshire UK  
www.faac.co.uk

FAAC AUSTRALIA PTY LTD  
Tel. +61 2 7565644  
Fax +61 2 87565677  
Homebush – Sydney, Australia  
www.faac.com.au

FAAC NORD  
Tel. +33 1 69191620  
Fax +33 1 69536069  
Massy, France  
www.faac.fr

FAAC INDIA PVT. LTD  
Tel. +91 120 3934100/4199  
Fax +91 120 4212132  
Noida – Delhi, India  
www.faacindia.com

FAAC POLSKA SP.ZO.O.  
Tel. +48 22 8141125  
Fax +48 22 8142024  
Warszawa, Polska  
www.faac.pl

F.A.A.C. SA Delegación Cataluña  
Tel. +34 93 4362000  
Fax +34 93 5727994/4368225  
Barcelona, España  
www.faac.es

FAAC BENELUX  
Tel. +32 50 320202  
Fax +32 50 32024215  
Brugge, Belgium  
www.faac.be

FAAC G.E.S. M.B.H.  
Tel. +43 662 8533950  
Fax +43 662 85339520  
Wals-Siezenheim, Austria  
www.faac.at

FAAC INTERNATIONAL INC.  
Tel. +1 307 6351991  
Fax +1 307 6328148  
Cheyenne, USA  
www.faacusa.com

FAAC SCANDINAVIA AB  
Tel. +46 36 3768660  
Fax +46 36 370780  
Bankeryd, Sweden  
www.faac.se

FAAC SHANGHAI  
Tel. +86 21 68182970  
Fax +86 21 68182968  
Shanghai, China  
www.faac.com.cn



## 740

### Gearmotor for sliding gates

# FAAC

## FOR SLIDING GATES UP TO 500KG (740) AND 900KG (741)

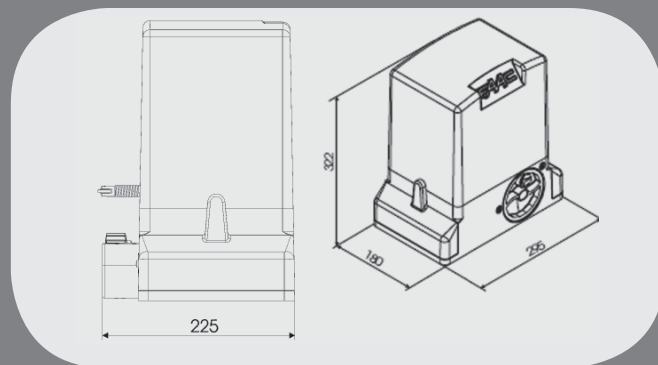
- Ideal for cost effective applications
- All models have a limit switch and fully adjustable base plate attached to the unit - ensuring straightforward alignment during installation
- Convenient manual release
- Self locking is a feature of the gear mechanism



inbuilt control board



galvanised racking



Dimensions of unit

## TECHNICAL SPECIFICATIONS 740

	740 E Z16	741 E Z16
Power supply	230 V (+6%-10%) 50 (60) Hz	
Absorbed power	350 W	500W
Absorbed current	3.5A	2.5A
Traction and thrust force	45 daN	65 daN
Motor rotation speed	1400 rpm	1400 rpm
Thermal protection on motor winding	140°C	
Reduction ratio	1:25	
Leaf max weight	500kg	900kg
Sliding speed	12 m/min (pinion Z16)	
Operating ambient temperature	-20°C to +55°C	
Protection class	IP44	
Dimensions (L x D x H) in mm	295 x 225 x 325 (pinion included)	