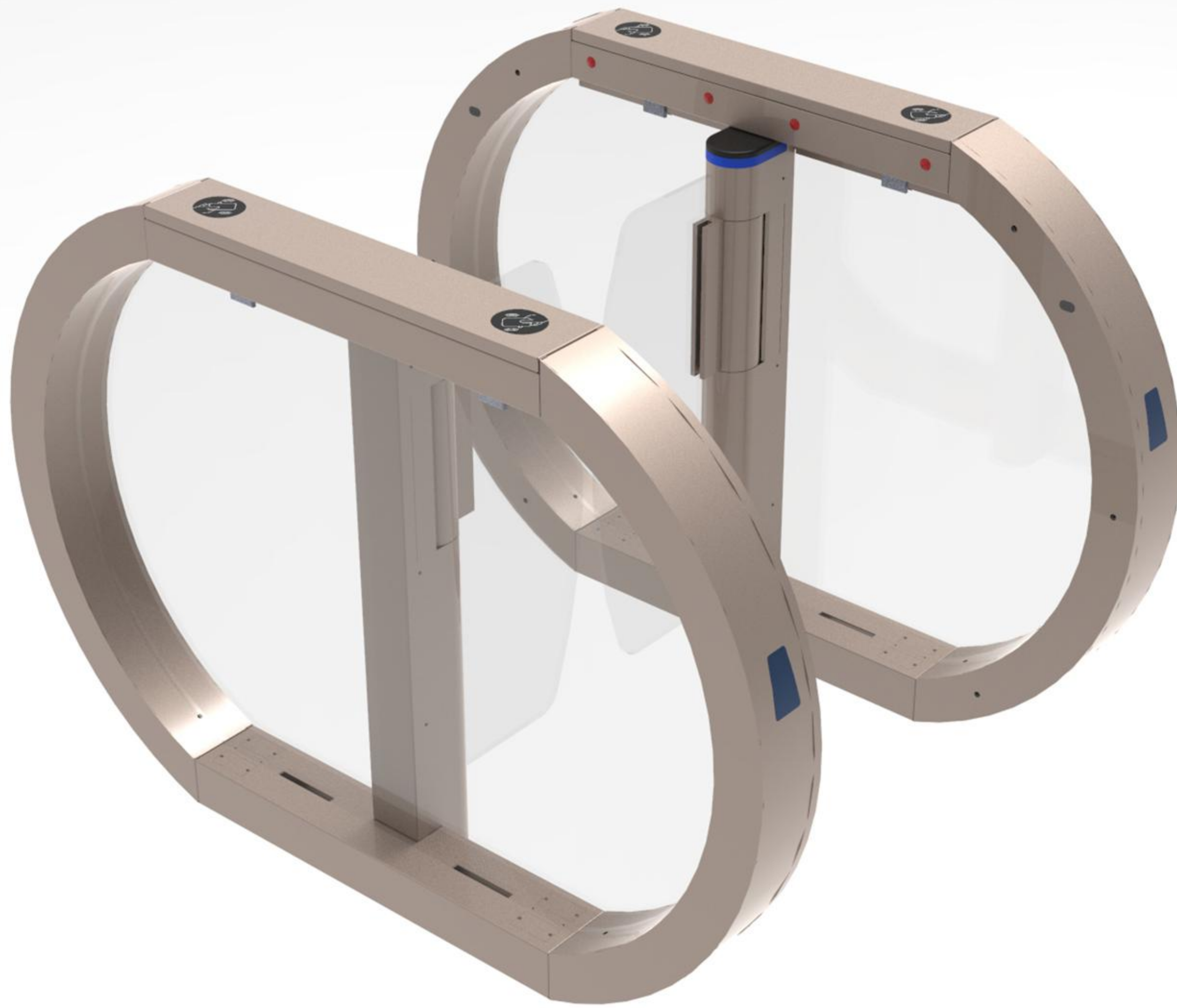


Speed Turnstile



access control system



manual control(optional)

The device integrated machinery, electronics, microprocessor control and a variety of identity recognition technology. Compatible with IC card, ID card, bar code card, fingerprints and other identification equipments.



35
pers/min

CROSSING CAPACITY



600
mm

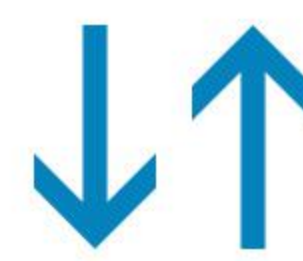
PASSAGE WIDTH



ANTI BUFFERING FUNCTION



ANTI-TAILING FUNCTION



BI-DIRECTIONAL



MOTORIZED



CAN BE CUSTOMIZED

Parameters:

- Size: 1400*120*980 mm
- Flap opening/closing time 0.2s
- Material: 304 # stainless steel
- Thickness: 1.5mm
- MCBF: 8 million cycles
- Speed: 35-40 person/min
- Passage width: 600 mm (standard)
- Direction: Bi-directional
- Motor: 24V / 35W brushless servo motor
- Swing arm transmission angle: 180 degrees
- Adaptation humidity: 5% - 90%

1. Shell processing technology: using laser, bending, cutting, welding, polishing, polishing and other processes.

2. Adaptation temperature: -40 °C ~ 80 °C. (Need to add temperature control system).

3. Operating environment Indoor/outdoor (Shelter)

Our Advantages

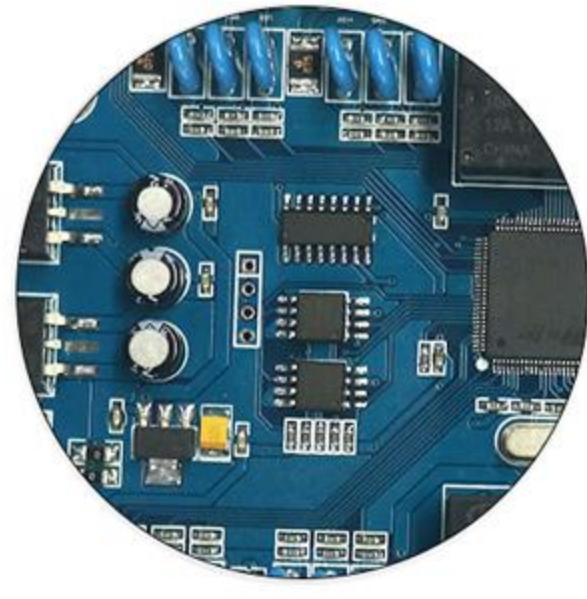
- ◆ Experience factory , all size ,thickness and appearance can be customized . OEM &ODM requirements are accepted.
- ◆ Can be connected with Access control systems ,Security Checking system . And be able to provide system integration solutions.
- ◆ Strict production process and quality control, assure of our products quality .

Speed Turnstile

Accessories:



304 # stainless steel



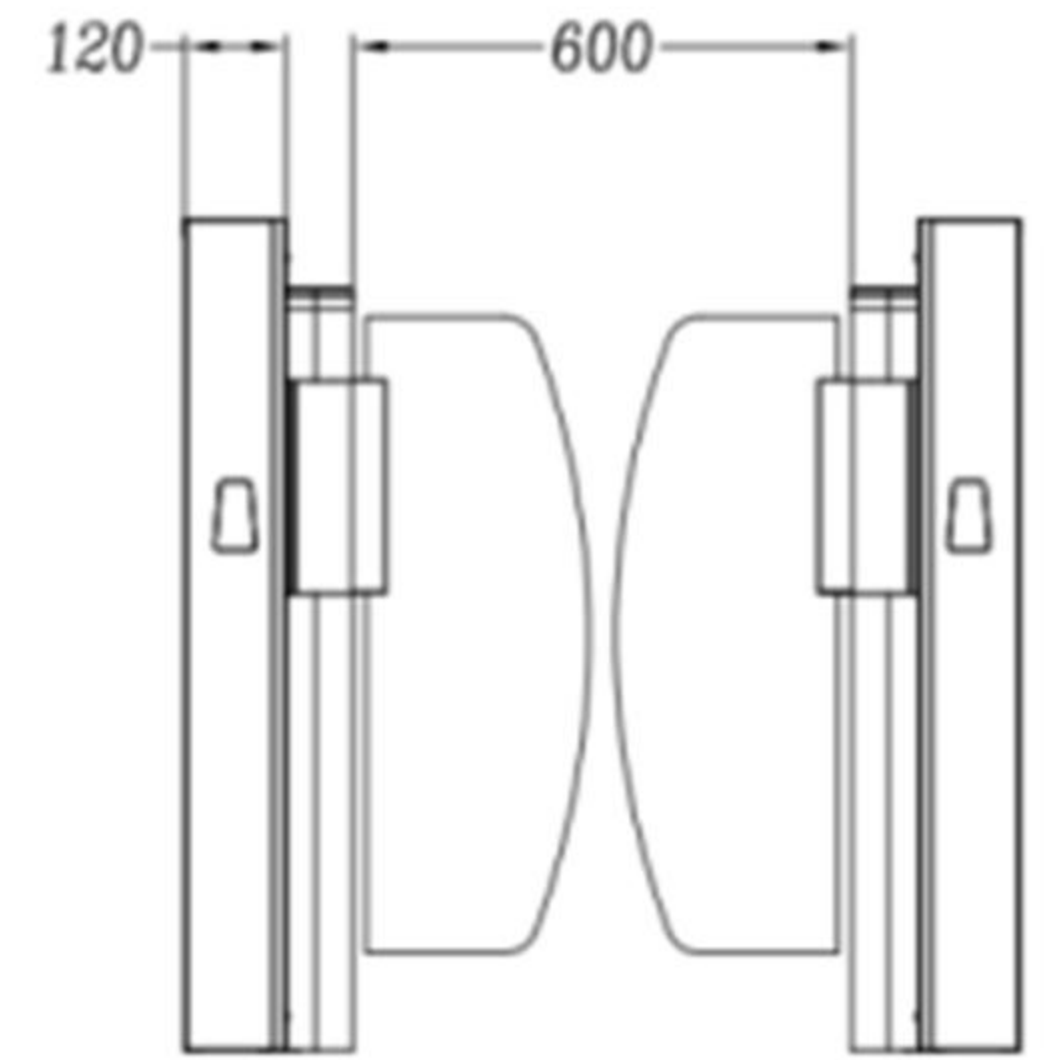
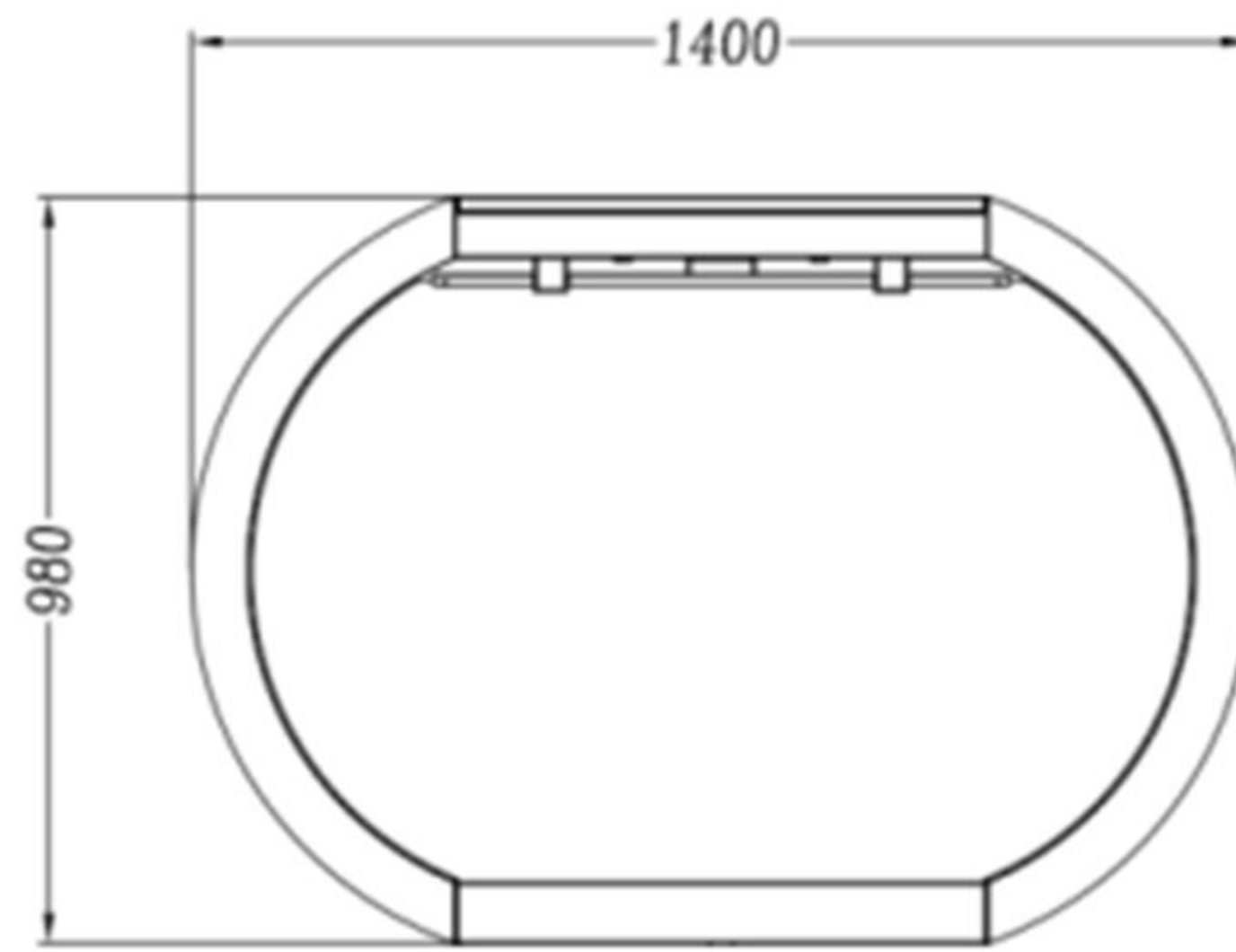
control mainboard



Motor movement



Swing Turnstile
(acrylic board)



Packing



Function introduction:

1. 2.0mm cold plate + baking varnish + acrylic + 1.5mm SUS304
2. Laser cutting processing of the box body;
3. Fine welding and fine grinding process;
4. Original wire drawing on the surface;
5. Infrared anti-pinch protection;
6. Illegal intrusion into infrared alarm;
7. Swipe the card to open the gate and reverse will alarm;
8. German imported brand motors
9. Top domestic brand of round infrared 8 pairs
10. Top International brand of power supply + LED light bar
11. Top domestic brand of product decoder
12. 10mm transparent acrylic baffle + 10mm transparent acrylic board
13. Fully automatic board + box + wire slot
14. One-piece speed-pass speed-pass movement



Use domain



Port



Airport



Train Station



Hospital



Hotel



Factory



Government



Bank