

Single Lane Full Height Turnstile A



access control system



manual button or remote-control for option

The device integrated machinery, electronics, microprocessor control and a variety of identity recognition technology. Compatible with IC card, ID card, bar code card, fingerprints and other identification equipments.



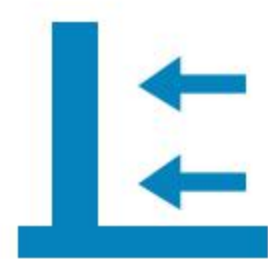
35
pers/min

CROSSING CAPACITY



600
mm

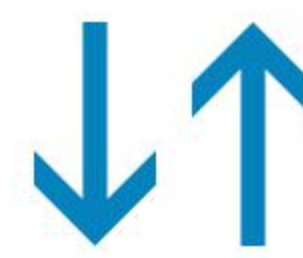
PASSAGE WIDTH



ANTI BUFFERING FUNCTION



ANTI-TAILING FUNCTION



BI-DIRECTIONAL



SEMI-AUTO OR
MOTORIZED



CAN BE CUSTOMIZED

Parameters:

- Single Lane Dimension: 1400*1200*2230 mm
- Double lane Dimension: 2100*1200*2230 mm
- Material: 304 # stainless steel
- Thickness: 1.2mm / 1.5mm
- speed: 35 person/min adjustable
- Lane width: 600mm
- Direction: Bi-directional
- Semi-auto and full auto movement for option
- Unlock time 0.2s
- Adaptation humidity: 5% - 90%

- Shell processing technology: using laser, bending, cutting, welding, polishing, polishing and other processes.
- Adaptation temperature: -15 - 55°C.
- Operating environment Indoor/outdoor (Shelter)

Our Advantages

- ◆ Experience factory , all size ,thickness and appearance can be customized . OEM &ODM requirements are accepted.
- ◆ Can be connected with Access control systems ,Security Checking system . And be able to provide system integration solutions.
- ◆ Strict production process and quality control, assure of our products quality .

Single Lane Full Height Turnstile A

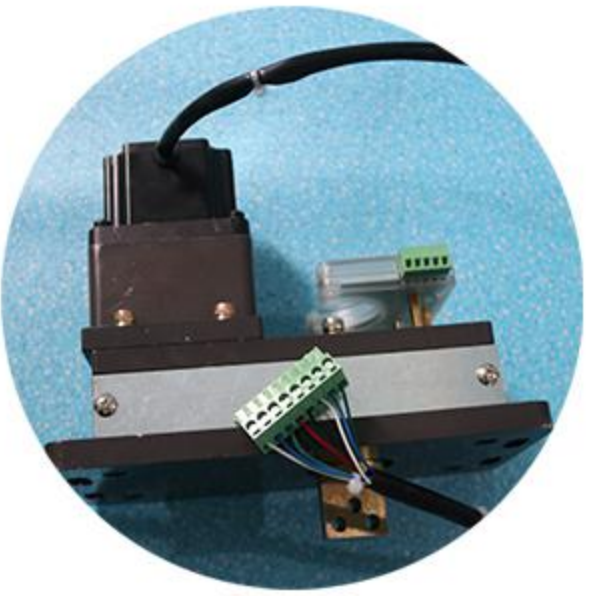
Accessories:



304 # stainless steel



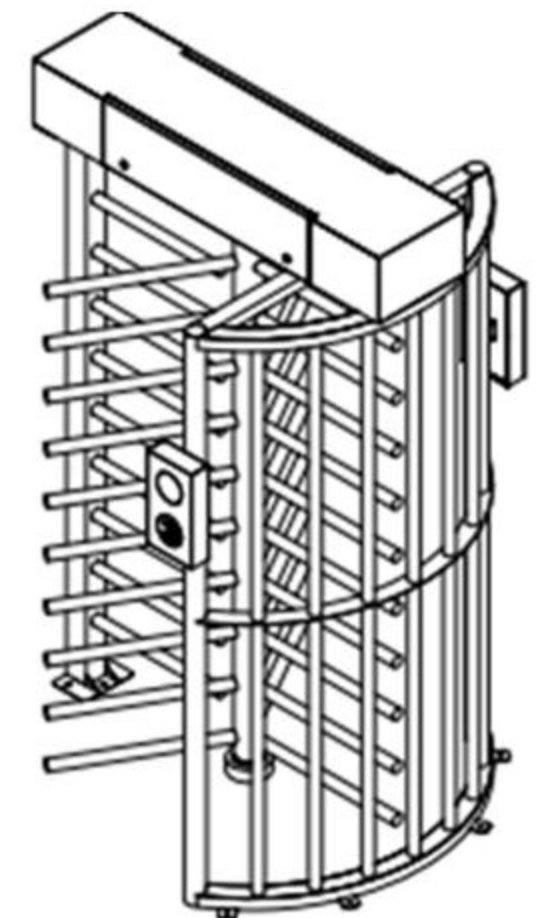
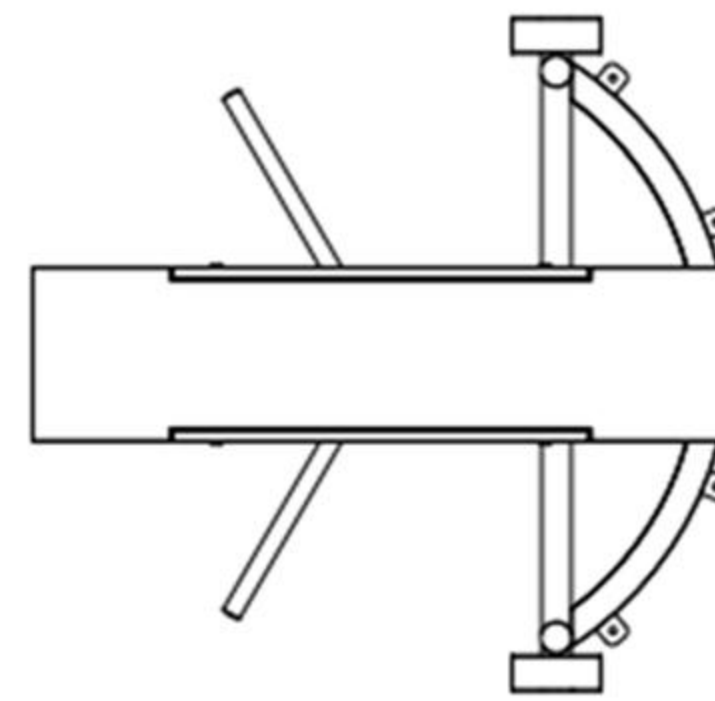
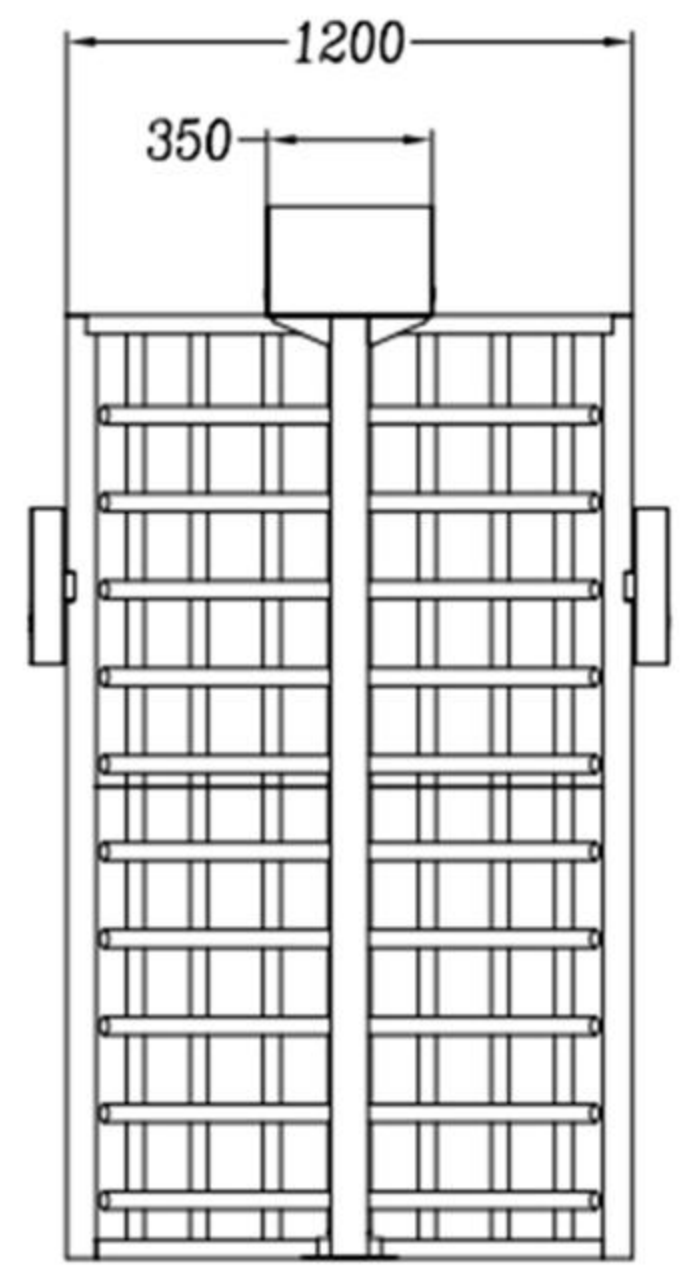
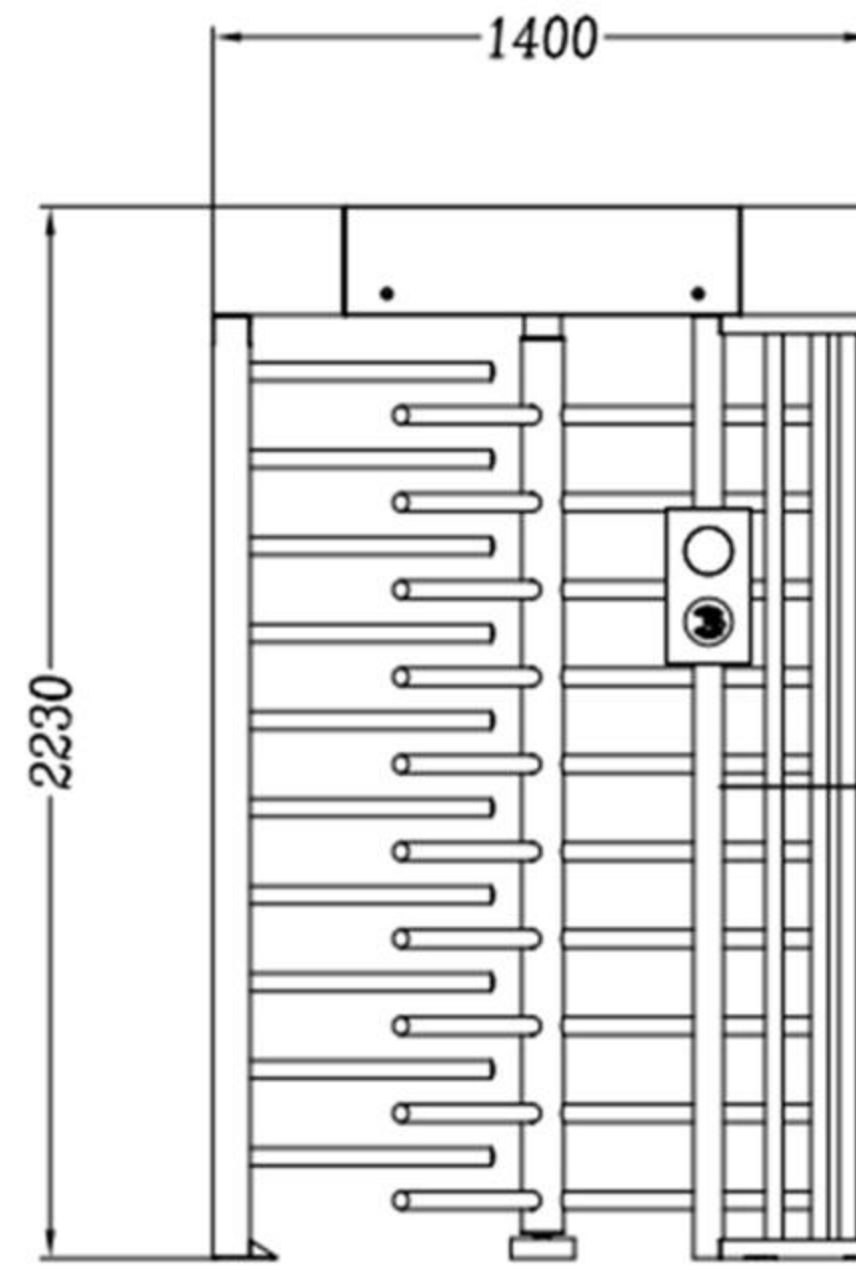
control mainboard



movement



Packing



Function introduction:

1. Adopt High-level semi-automatic intelligent mechanism, System operation stable with low noise; full-automatic Brushless DC motor for option.
2. Anti-pinch and anti-collision function.
3. Anti-shock function, the swing arm is automatically locked when no open signal is received.
4. When power-off, the turnstile is automatically switch to FREE pass mode for both directions, which meets the fire protection requirements.
5. With time protection and automatical reset function
6. Unified electrical interface, Can be connected with reading and writing equipments.
7. Automatical control system, Power board, Passage LED indicator, Passage Mode setting.
8. Using standard electrical interface, it can easily integrate magnetic stripe card, barcode card, ID card, IC card, ID card and other card readers on the device.



Use domain



Port



Airport



Train Station



Hospital



Hotel



Factory



Government



Bank