

MANUAL RETRACTABLE

TRAFFIC BOLLARDS



RELIABLE, PRACTICAL AND COST-EFFECTIVE SOLUTION TO
PROVIDE 100% SECURITY OF YOUR TERRITORY

TiSO manually retractable bollard has been designed to be used as a static obstacle in order to secure pedestrian or other areas from unauthorized vehicle traffic. This bollard is also an ideal cost effective solution for parking drives or bays and for securing a vehicle when parked overnight. The bollard is locked / unlocked with the special key, a user friendly handle at the top of the tube enables easy and smooth manual operation.

A major advantage is that these bollards do not require a power supply and are quick and easy to install. TiSO offer a range of manually retractable bollards in various dimensions, blocking heights, tube finishes, and diameters.

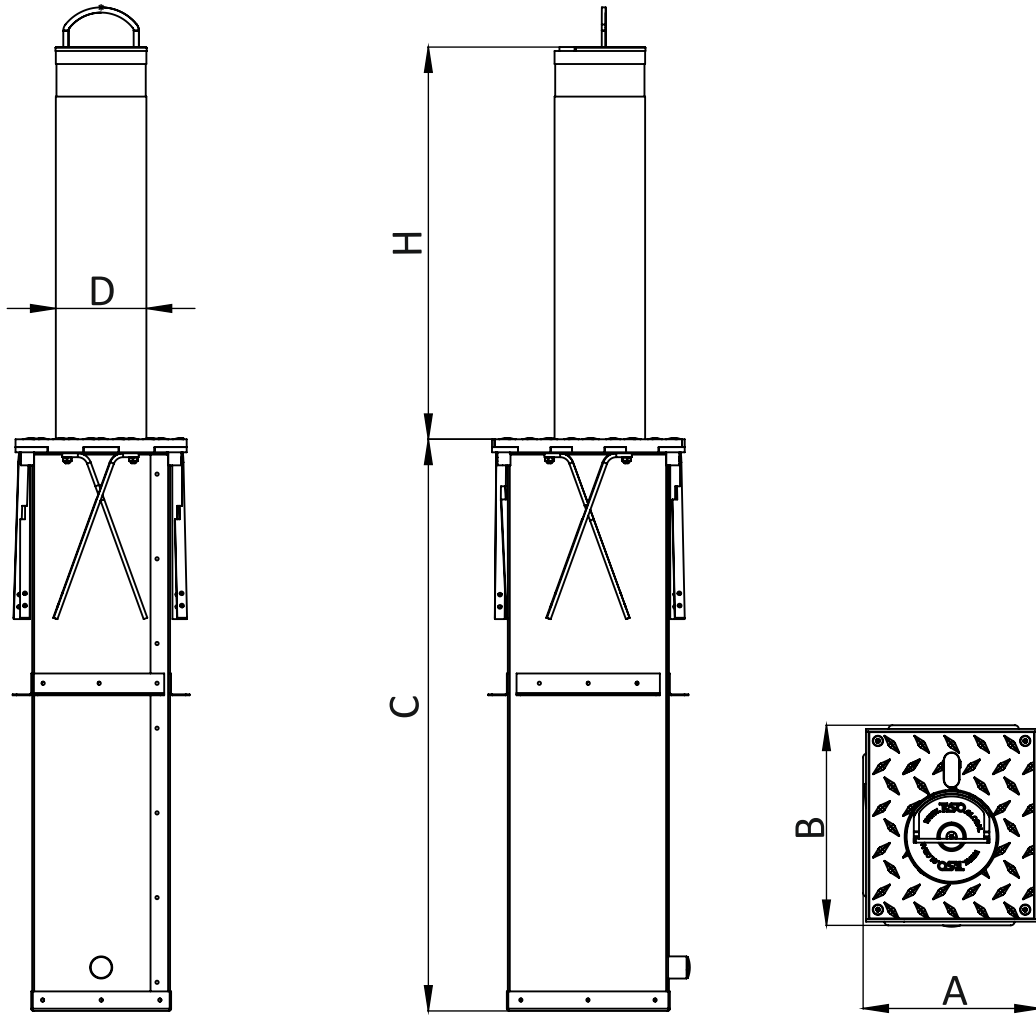
Installation areas

- Governmental Institutions
- Military Bases
- Nuclear Power Plants
- Production sites (Industrial Plants)
- Commercial areas
- Financial institutions
- Airport Premises
- Business (Office) Center
- Hotels
- Sport Complexes
- Recreation areas
- Urban areas
- Education Institutions



www.tiso.global
+380 (44) 291-21-11
e-mail: sales@tiso.global





TECHNICAL SPECS:

Model	RB345-62	RB345-51	RB345-52	RB345-65	RB345-54	RB345-55
Tube diameter (D), mm	140	220	273	140	220	273
Tube height (H), mm	600			800		
Wall thickness, mm	4					
Foundation case dimensions, mm(AxBxC)	270x305x880	330x380x880	375x415x880	270x305x1080	330x380x1080	375x415x1080
Operation temperatures*, °C	-40 °C / +60 °C					
Materials	Brushed stainless steel AISI 304 Brushed stainless steel AISI 316 Galvanized and powder coated tube (any RAL up on request)					

* for temperatures lower than -10° C use the heating device
for temperatures higher than +40° C use the cooler device



www.tiso.global
+380 (44) 291-21-11
e-mail: sales@tiso.global

