

HIGH SECURITY ROAD BLOCKER

DESIGNED ACCORDING TO
M40 (K8) ANTI-RAM CLASS

Designed
according to



RELIABLE, PRACTICAL AND COST-EFFECTIVE SOLUTION TO
PROVIDE 100% SECURITY OF YOUR TERRITORY

High security road blocker intends to prevent unauthorized access of vehicles to a secured perimeter and provide highest anti-terror protection. TiSO road blocker designed according to ASTM F2656 M40 (K8) standard. Being developed by engineers with extensive background in appropriate field, TiSO road blocker is featured by installation and civil works simplicity, reliability, durability, and functionality. All these features together, make this TiSO road-blocker an ultimate solution for a vehicle access control establishment.

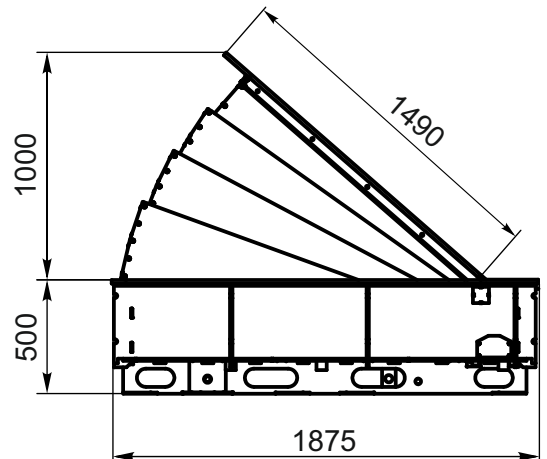
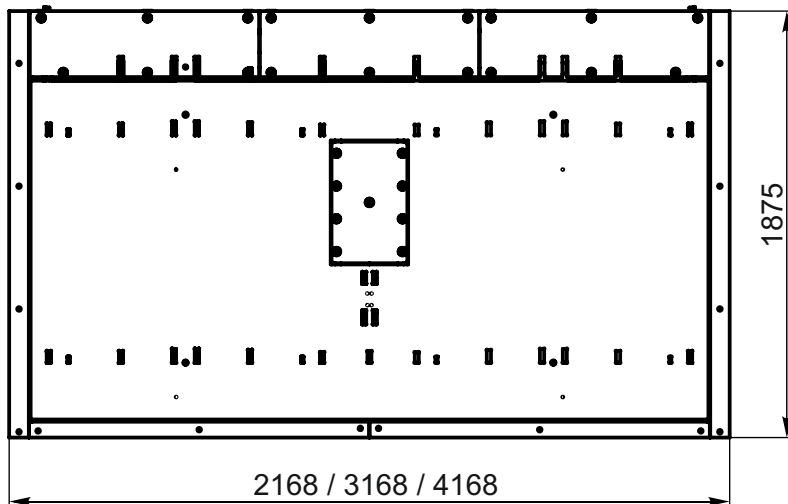
Installation areas

- Governmental Institutions
- Military Bases
- Nuclear Power Plants
- Production sites (Industrial Plants)
- Commercial areas
- Financial institutions
- Airport Premises
- Business (Office) Center
- Hotels
- Sport Complexes
- Recreation areas
- Urban areas
- Education Institutions
- etc.



www.tiso.global
+380 (44) 291-21-11
e-mail: sales@tiso.global





TECHNICAL SPECS:

| Model | RB322 | RB323 | RB324 |
|------------------------------|---|-------|-------|
| Installation type | Submersible | | |
| Drive | Hydraulic (HPU) | | |
| Width, mm | 2000 | 3000 | 4000 |
| Height, mm | 1000 | | |
| Impact resistance, kJ | 1110 | | |
| Axle load, t | 15 | | |
| Rising time, s | 3,5 (1,5 with EFO) | | |
| Lowering time, s | 3,5 | | |
| Operating temperatures**, °C | -40 /+60 | | |
| Power supply | 3 phase 400 V, 50/60 Hz | | |
| Protection level | IP 67 (for road blocker) IP 54 (for control box) | | |
| Material | Structural steel C22 (powder coated) | | |

**for temperatures lower than -10 °C use the heating device
for temperatures higher than +40 °C use the cooler device

