

PYRONICS



■ PYR-FA-CHA-ML 1 LOOP FIRE ALARM CONTROL PANEL

The PYR-FA-CHA-ML is a microprocessor based fire alarm control panel with 1 loop built-in supporting two-wire advanced communication. The panel communicates with the devices in real-time the detection data, the device status and control commands as well as monitors all internal components.

KEY FEATURES

- Modern Design and Feel
- Easily Programmed
- 1 Loop with 120 Device Capacity
- Loop Supports Both Class A and B
- 4.3" Color LCD Display
- 1,000 Event Log for Each Event Type
- Automatic Battery Changeover and Charge Power Supply
- Can Connect up to 20 Panels
- Can Connect up to 20 Remote Annunciator Panels
- Can be Divided to 16 Zones with Indicators
- Independent 24VDC Circuit
- Multi-Type Tests
- 3 Access Levels
- 3 Year Warranty



SPECIFICATIONS

GENERAL

Technology	Microprocessor Based
Loops	1 Built-in
Loop Capacity	120 Device
Display	4.3" Color LCD Display (480 x 272 Resolution)
Keypad	Numeric Easy-use Keypad
LED Indicators	Fire, Power, Fault, Power Fault, System Fault, Sounder Fault, Test, Delay, Evacuate, Sounder Disabled and 16 Zone Separate Indicators
Relays	1 for Fire Event 1 for Fault Event
Wiring	2 Wire (Polarity Insensitive)
Access Level	3
Log History	1,000 Event for Fire Event 1,000 Event for Fault Event 1,000 Event for Supervisory Event
Tests	Point Test, Zone Test and Module Test

PERFORMANCE

Panel Connection	CAN Bus (Can connect up to 20 panels)
Remote annunciator connection	RS485 (Can connect up to 20 RAPs)
Conventional DC Line	1 x 24 VDC Line, 500 mA
Output Class	Support A and B
Power Supply	Monitored with automatic change-over and battery charger
Battery Type	Value Regulated Lead Acid (VRLA)
Maximum Battery Capacity	12 VDC 7 Ah

ELECTRICAL

Mains Voltage	110 to 220 VAC \pm 15%
Operating Voltage	20 to 28 VDC
Standby Current	< 0.4 Ampere
Alarm Current	1 Ampere

MECHANICAL

Material	Cold Rolled Steel
Dimensions	360 mm x 400 mm x 104 mm (Height x Width x Depth)
Weight	3.7 Kg (Without batteries)

ENVIRONMENTAL

Application	Indoor Installation Only
Operating Temperature	-5 °C to +45 °C
Storage Temperature	-10 °C to +55 °C
Humidity	0 to 95% (Relative Humidity)

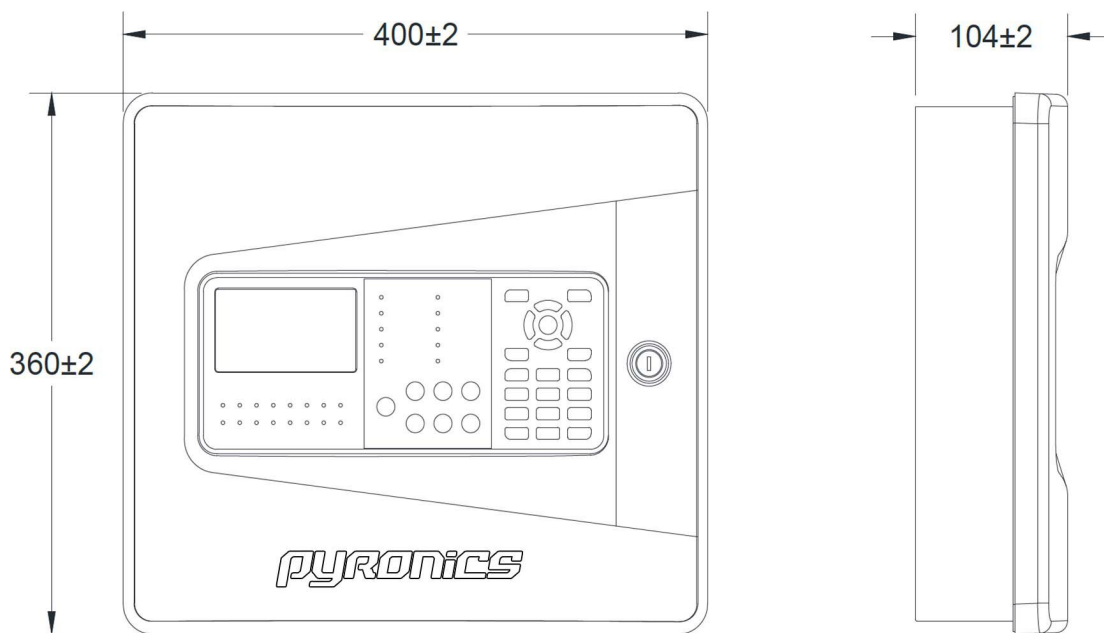
REGULATORY

Certification	LPCB according to EN54-2 and EN54-4
---------------	-------------------------------------

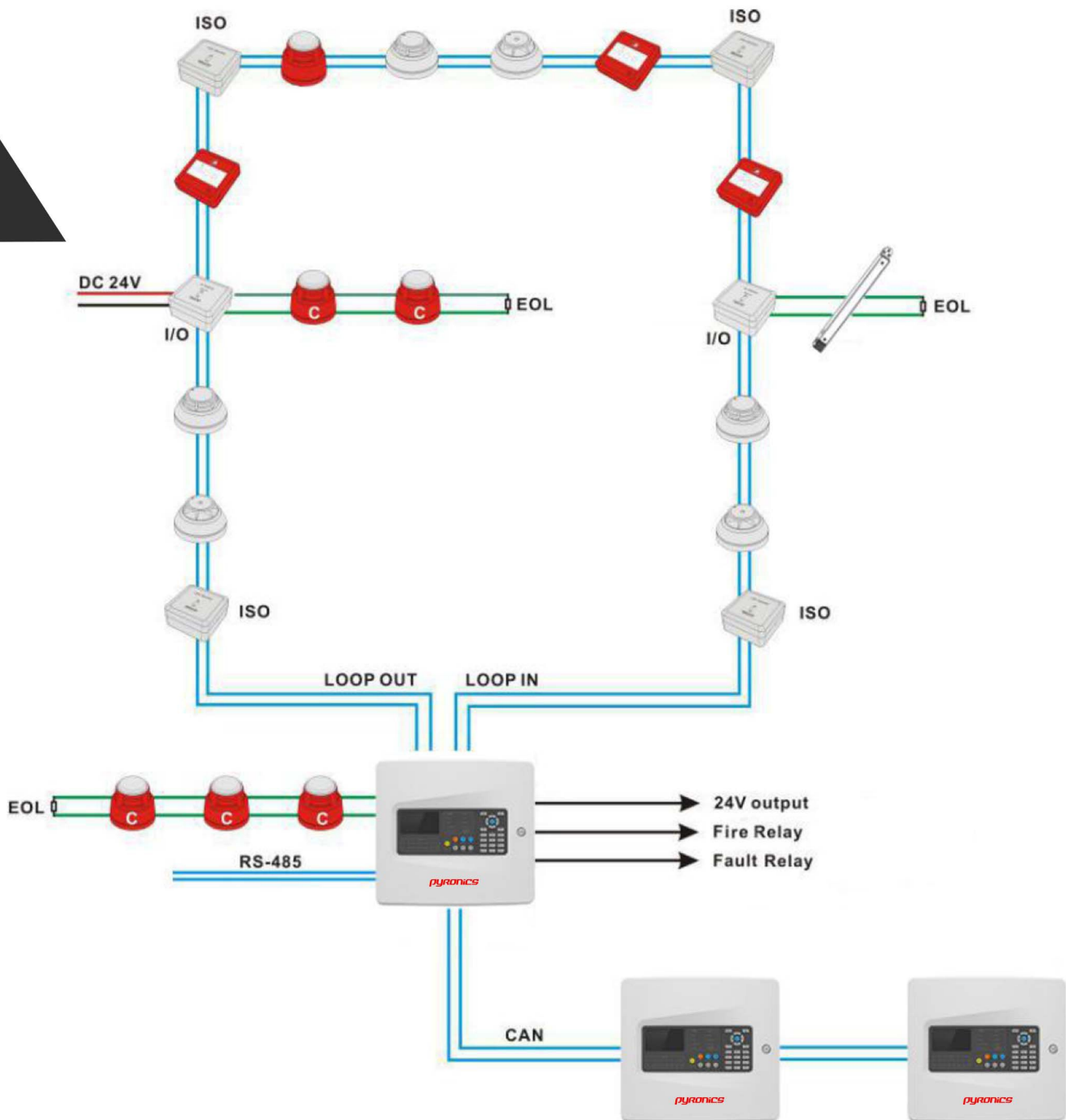




DIMENSIONS



WIRING



ORDERING INFORMATION

Model	Description
PYR-FA-CHA-ML	1 LOOP FIRE ALARM CONTROL PANEL

pyronics

Adkinns | 5063 Commercial Circle,
HQ | Concord, CA 94520
United States
Email | info@pyronics.us
Website | www.Pyronics.us

Pyronics warrants all its products against any and all manufacturing defects from the date of product delivery from the factory and/or distribution center. Pyronics's Challenger series has a warranty of 3 years

PYR-FA-CHA-ML – Datasheet V.001

pyronics

©2022, Pyronics, all rights reserved . We reserve the right to change the design and specifications without prior notice. Pyronics is a life safety and property protection systems manufacturer that is fully owned by Adkinns Inc.