

# Square Swing Gate




access control system



manual control(optional)

The device integrated machinery, electronics, microprocessor control and a variety of identity recognition technology. Compatible with IC card, ID card, bar code card, fingerprints and other identification equipments.

 **35**  
pers/min  
CROSSING CAPACITY

 **600**  
mm  
PASSAGE WIDTH

 ANTI BUFFERING FUNCTION

 ANTI-TAILING FUNCTION

 BI-DIRECTIONAL

 MOTORIZED

 CAN BE CUSTOMIZED

## Parameters:

- Size: 200\*200\*1020mm
- Unlock time: 0.2s
- Motor voltage: 24v
- MTBF: 3 million cycles
- Power: 35W
- Voltage input: 220V, 50HZ
- Channel width: ≤600-900mm
- Direction: Bi-directional
- Speed: ≤35 people/min
- Swing arm transmission angle: 180 degrees

1. Shell processing technology: using laser, bending, cutting, welding, polishing, polishing and other processes.
2. Adaptation temperature: -20 °C ~ 70 °C. (Need to add temperature control system).
3. Operating environment Indoor/outdoor (Shelter)

## Our Advantages

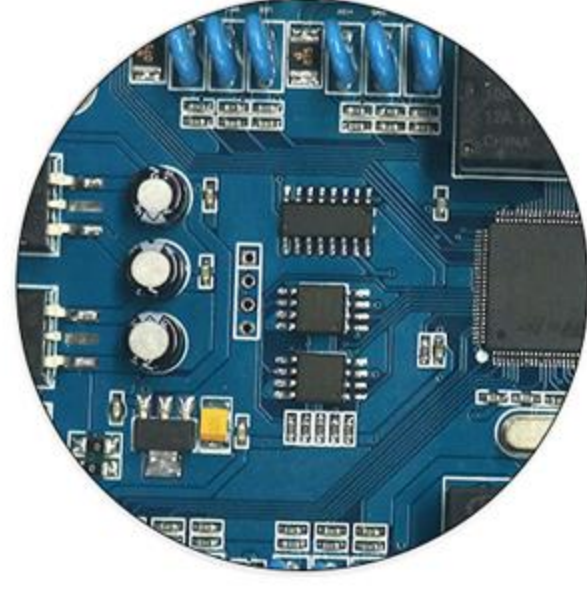
- ◆ Experience factory , all size ,thickness and appearance can be customized . OEM &ODM requirements are accepted.
- ◆ Can be connected with Access control systems ,Security Checking system . And be able to provide system integration solutions.
- ◆ Strict production process and quality control, assure of our products quality .



## Accessories:



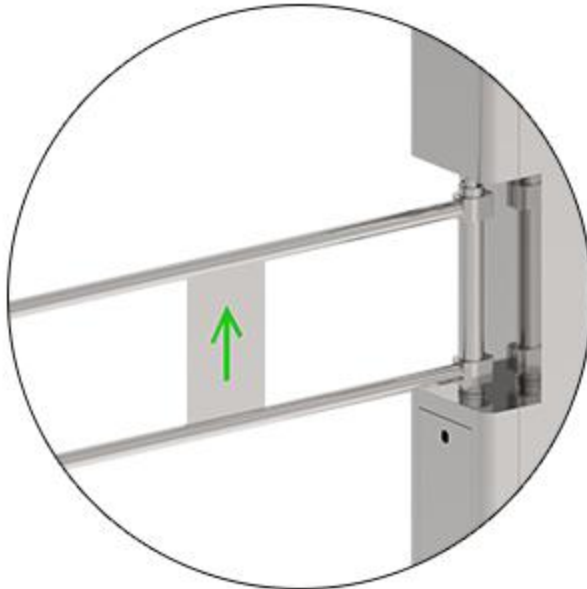
304 # stainless steel



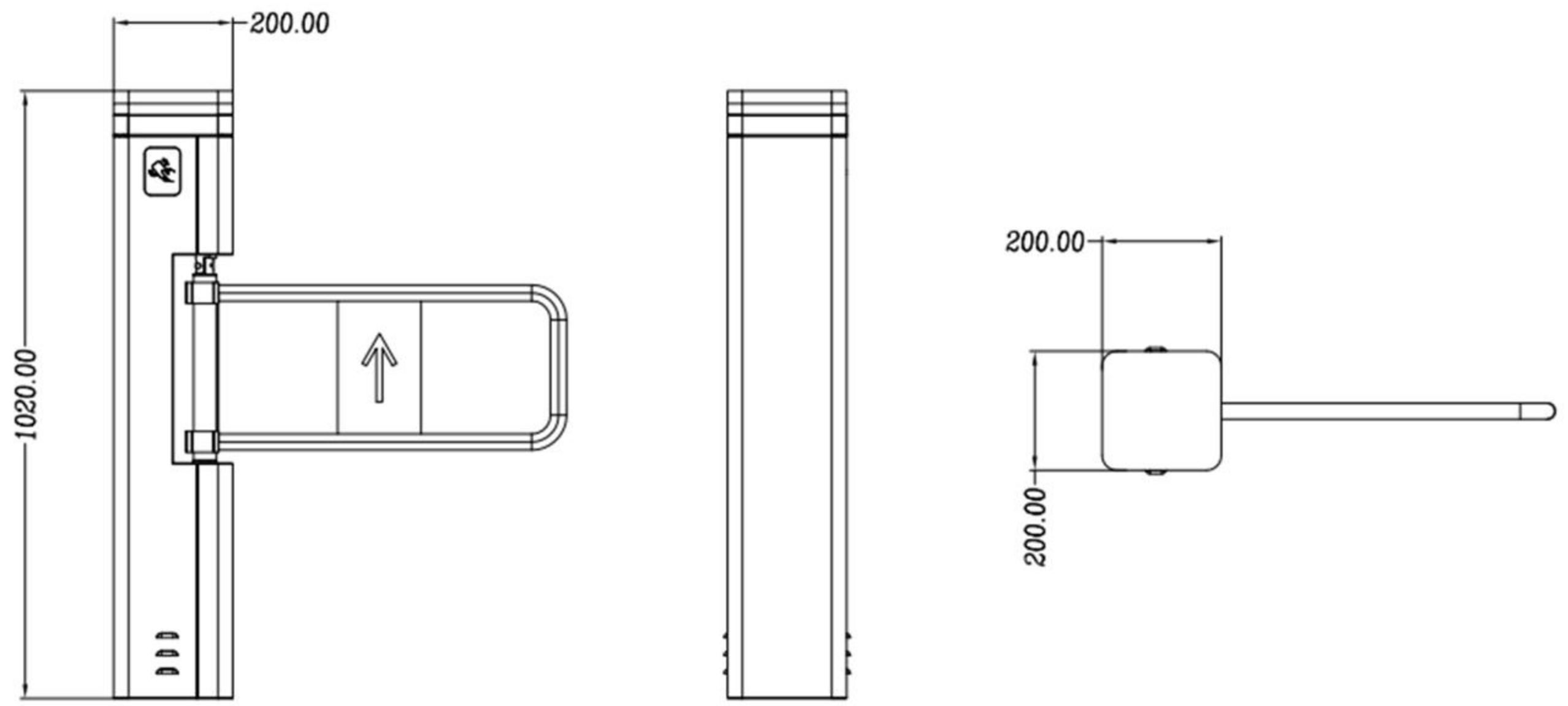
control mainboard



Motor movement



Swing Turnstile  
(acrylic board)

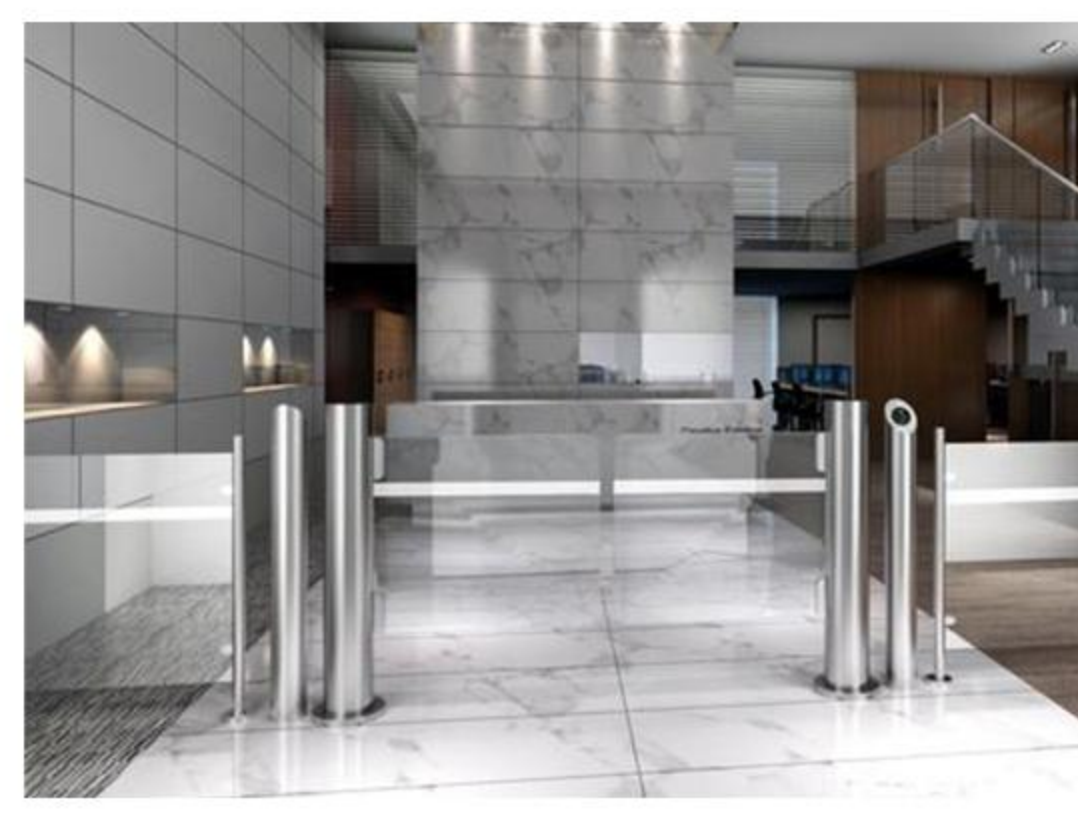
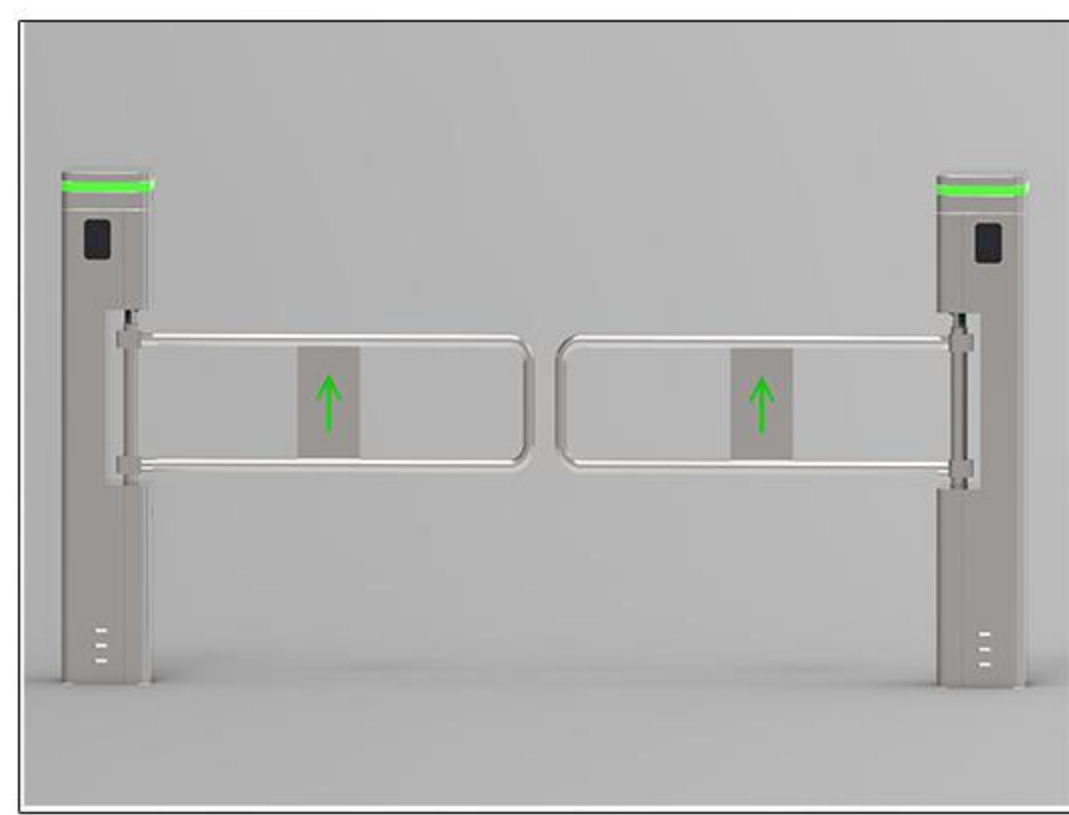
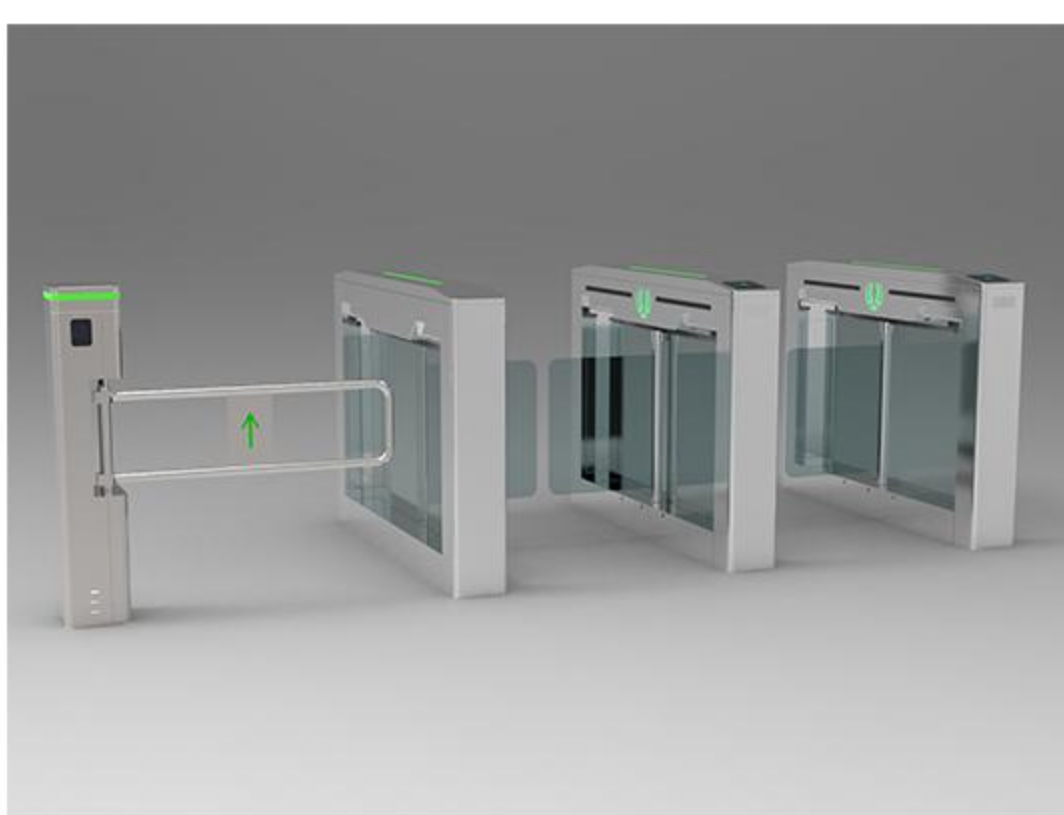


## Packing



## Function introduction:

- 1) Cylindrical swing gate movement, 40K 20W DC brush motor; 1.2mm SUS304 No. 400 wire drawing
- 2) Fine grinding and fine welding of bright edges;
- 3) With automatic reset function, the system will automatically cancel the pedestrian if the pedestrian does not pass within the specified time after reading the valid card This access permission;
- 4) LED indicator prompt, valid card displays green, illegal card displays red;
- 5) The unified standard external electrical interface can be connected to a variety of card readers, and remote control and management can be realized through the management computer .
- 6) After the power is off, the channel will automatically open normally (in accordance with fire protection requirements), and will automatically close after power on.



## Use domain



Port



Airport



Train Station



Hospital



Hotel



Factory



Government



Bank

## Shenzhen Unisec Technology Co.,Ltd

Factory : 8/F Building F6, Juyin Science and Technology Industrial Park, No. 1 Ganli road, Jihua street, Longgang district, Shenzhen China



+086-0755-28793799



[www.uniqscan.com](http://www.uniqscan.com)